



**Schematic set**

---

## **CA Series power amplifiers**

**May 2000 (current production)**

- 1. Front display board**
- 2. Rear Input connector board**
- 3. CA6 / CA9 Preamp**
- 4. CA6 / CA9 / CA12 Power supply**
- 5. CA6 / CA9 Output power module**

6

5

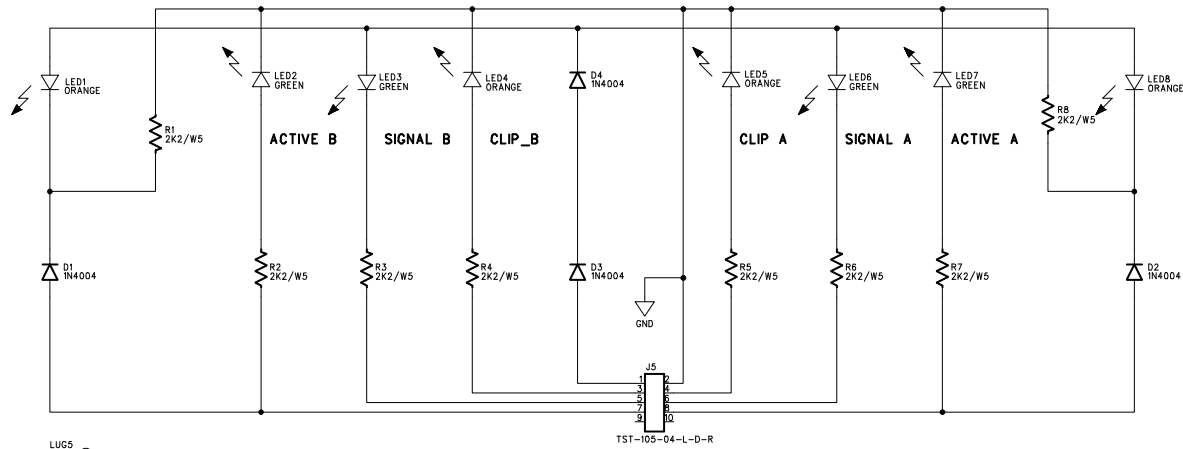
4

3

2

1

REVISION RECORD			
LTR	ECO NO:	APPROVED:	DATE:



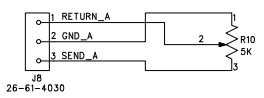
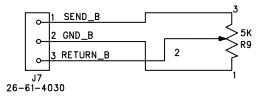
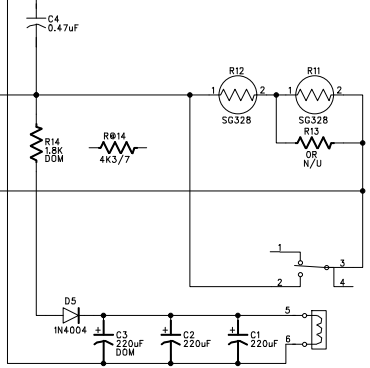
LUG5 .25LUG

LUG4 .25LUG

LUG3 .25LUG

LUG1 .25LUG AC\_IN

LUG2 .25LUG AC\_OUT



SWAGE-.812

SWAGE-.812

SWAGE-.812

SWAGE-.812

SWAGE-.812

NOTES:  
R14 4.3K/7W EXPORT



TITLE: <b>CA SERIES DISPLAY</b>			
DRAWN:	DATED:	CODE:	SIZE: <b>C</b>
CHECKED:	DATED:	DRAWING NO: <b>21A1925-05</b>	REV: <b>5</b>
QUALITY CONTROL:	DATED:	SCALE:	
RELEASED:	DATED:	SHEET: 1 OF 1	

6

5

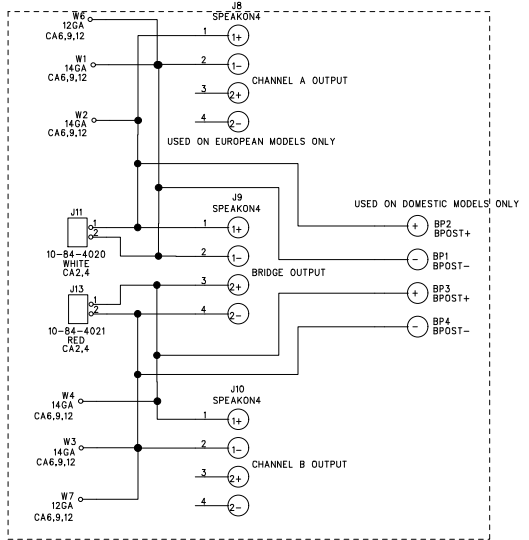
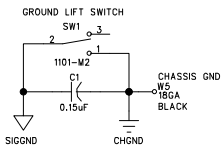
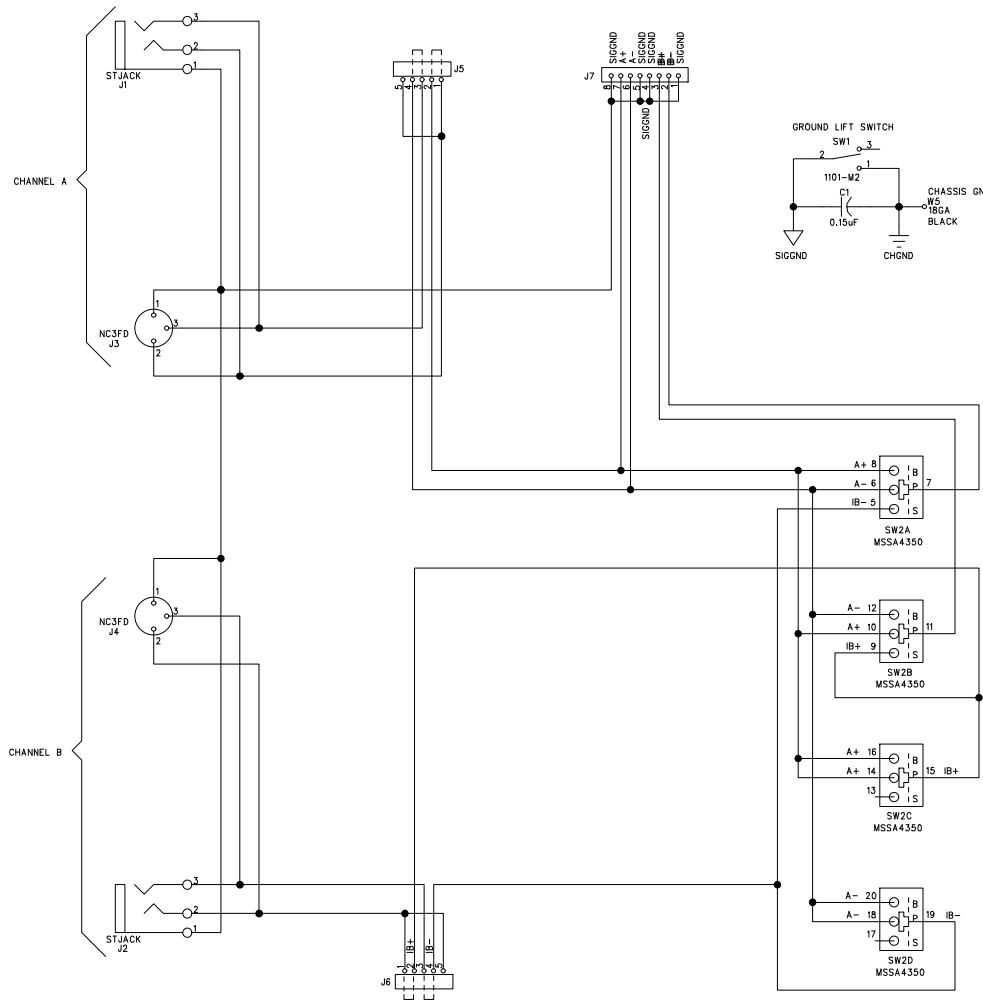
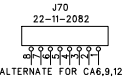
4

3

2

1

REVISION RECORD			
LTR	ECO NO:	APPROVED:	DATE:



MODE SWITCH  
 B= BRIDGE MODE  
 P= PARALLEL MODE  
 S= STEREO MODE



TITLE: <b>CA 2,4,6,9, &amp; 12 INPUT</b>			
CODE:	SIZE: <b>C</b>	DRAWING NO: <b>2410-01</b>	REV: <b>01</b>
SCALE:		SHEET: 1 OF 2	

DRAWN: BE	DATED: 11/28/94
CHECKED:	DATED:
QUALITY CONTROL:	DATED:
RELEASED:	DATED:

D

C

B

A

D

C

B

A

6

5

4

3

2

1

REVISION RECORD			
LTR	ECO NO:	APPROVED:	DATE:

D

D

C

C

B

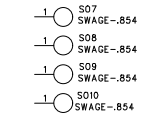
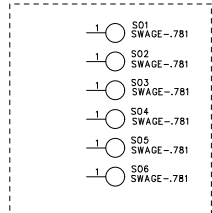
B

A

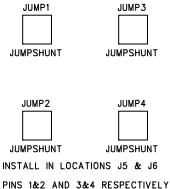
A

PCB1  
25C2410-01  
69000275

USED ON EUROPEAN MODELS ONLY



ON ALL MODELS OTHER THAN  
EUROPEAN ( NO SPEAKERS )  
INSTALL THIS STANDOFF  
SWAGE--938



CA6,9,12

CA6,9,12

WIRE128  
WIRE SET INPUT CABLE ASSY CHANNEL A

CA6,9,12

CA6,9,12

WIRE129  
WIRE SET INPUT CABLE ASSY CHANNEL B

CA2,4,6,9,12

CA2,4,6,9,12

WIRE130  
WIRE SET INPUT BOARD GROUND CABLE

CA6,9,12

CA6,9,12

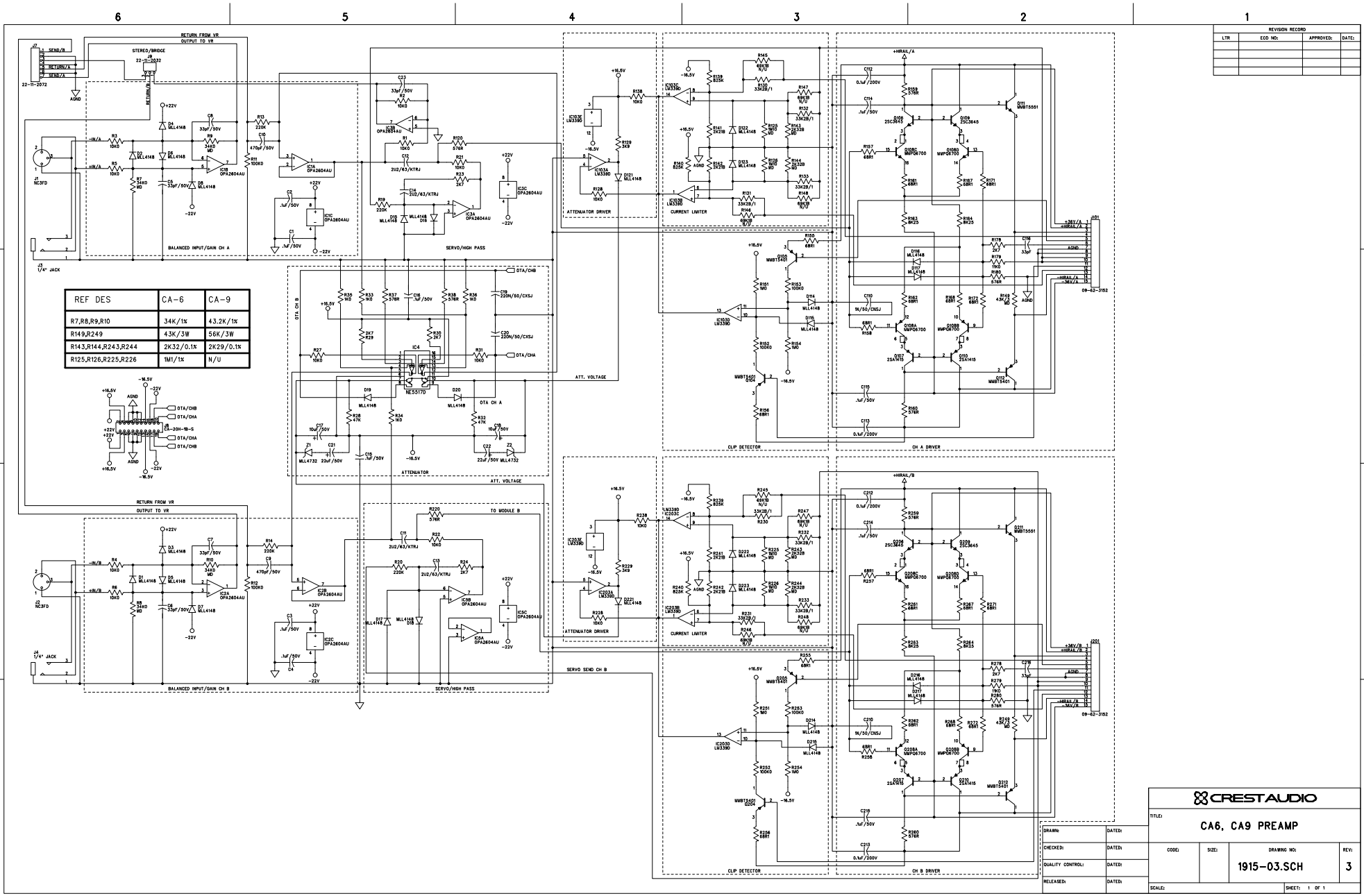
WIRE138  
WIRE SET INPUT TO P/S GROUND CABLE

**CREST AUDIO**

TITLE: CA 2,4,6,9 & 12 INPUT

DRAWN:	DATED:	CODE:	SIZE: C	DRAWING NO: 2410-01	REV: 01
CHECKED:	DATED:	QUALITY CONTROL:	DATED:	RELEASED:	DATED:

SCALE: SHEET: 2 OF 2



REVISION RECORD			
LTR	ECO NO.	APPROVED:	DATE:

REF DES	CA-6	CA-9
R7,R8,R9,R10	34K/1X	43.2K/1X
R149,R249	43K/3W	56K/3W
R143,R144,R243,R244	2K32/0.1X	2K29/0.1X
R125,R126,R225,R226	1M/1X	N/U

**CRESTAUDIO**

**CA6, CA9 PREAMP**

TITLE:	CA6, CA9 PREAMP		
DRAWN:	DATE:	CODE:	SIZE:
CHECKED:	DATE:	DRAWING NO:	REV:
QUALITY CONTROL:	DATE:	1915-03.SCH	3
RELEASED:	DATE:	SCALE:	SHEET: 1 OF 1

6

5

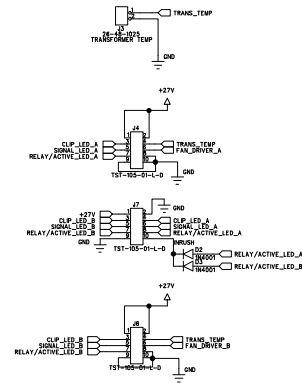
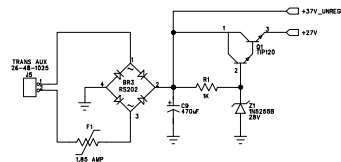
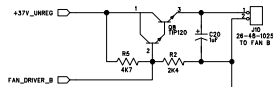
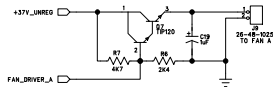
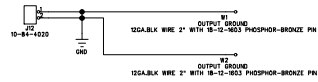
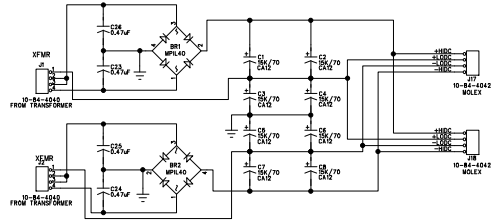
4

3

2

1

REVISION RECORD			
LTR	ECO NO.	APPROVED:	DATE:



<b>CRESTAUDIO</b>	
TITLE: CAK/9/12 POWER SUPPLY	
DRAWN: BE	DATE: 2/94
CHECKED: FR	DATE: 7-8-95
QUALITY CONTROL:	DATE:
RELEASED:	DATE:
CODE:	SIZE:
DRAWING NO:	REV: 03
SCALE:	SHEET: 1 OF 1

6

5

4

3

2

1

REVISION RECORD			
LTR	ECO NO.	APPROVED:	DATE:



CA6,9,12 HEATSINK FOR BRIDGE RECT.



FOR W1 & W2 TO I/O PCB



001 FOR BRIDGE RECTIFIER HEATSINK  
SCREW: #14x0.8 ST TYPE 8 SELF-TAP PAN HD PHL ZINC



001 SCREW: #10x0.625  
FOR BRIDGE RECTIFIER HEATSINK



07P1 FOR BRIDGE RECTIFIER HEATSINK



07P2 FOR BRIDGE RECTIFIER HEATSINK



07P3 FOR BRIDGE RECTIFIER HEATSINK



07P4 FOR BRIDGE RECTIFIER HEATSINK



07P5 FOR BRIDGE RECTIFIER HEATSINK



HS6025PB



NUT\_4-16\_KEP



SCR4-4015/M



HS6025PB



NUT\_4-16\_KEP



SCR4-4015/M



HS6025PB



NUT\_4-16\_KEP



SCR4-4015/M

HEATSINKS AND HARDWARE MOUNT TO 07, 08, 01

MODEL DEPENDENT CAPACITORS

	CA6	CA9	CA12
C1,2=	C301 	C301 	C302 
C3,4=	C304 	C303 	C304 
C5,6=	C305 	C305 	C306 
C7,8=	C308 	C307 	C308 



EDGE PROTECTOR\_2  
USED ON HEATSINK TO PROTECT WIRES



EDGE PROTECTOR\_2  
USED ON HEATSINK TO PROTECT WIRES



EDGE PROTECTOR\_2  
USED ON HEATSINK TO PROTECT WIRES



TITLE:		CA6/9/12 POWER SUPPLY CA6_9_12CAP.sch		
CODE:	SIZE:	DRAWING NO:	REV:	
SCALE:			SHEET: 2 of 2	

DRAWN:	DATE:
CHECKED:	DATE:
QUALITY CONTROL:	DATE:
RELEASED:	DATE:

6

5

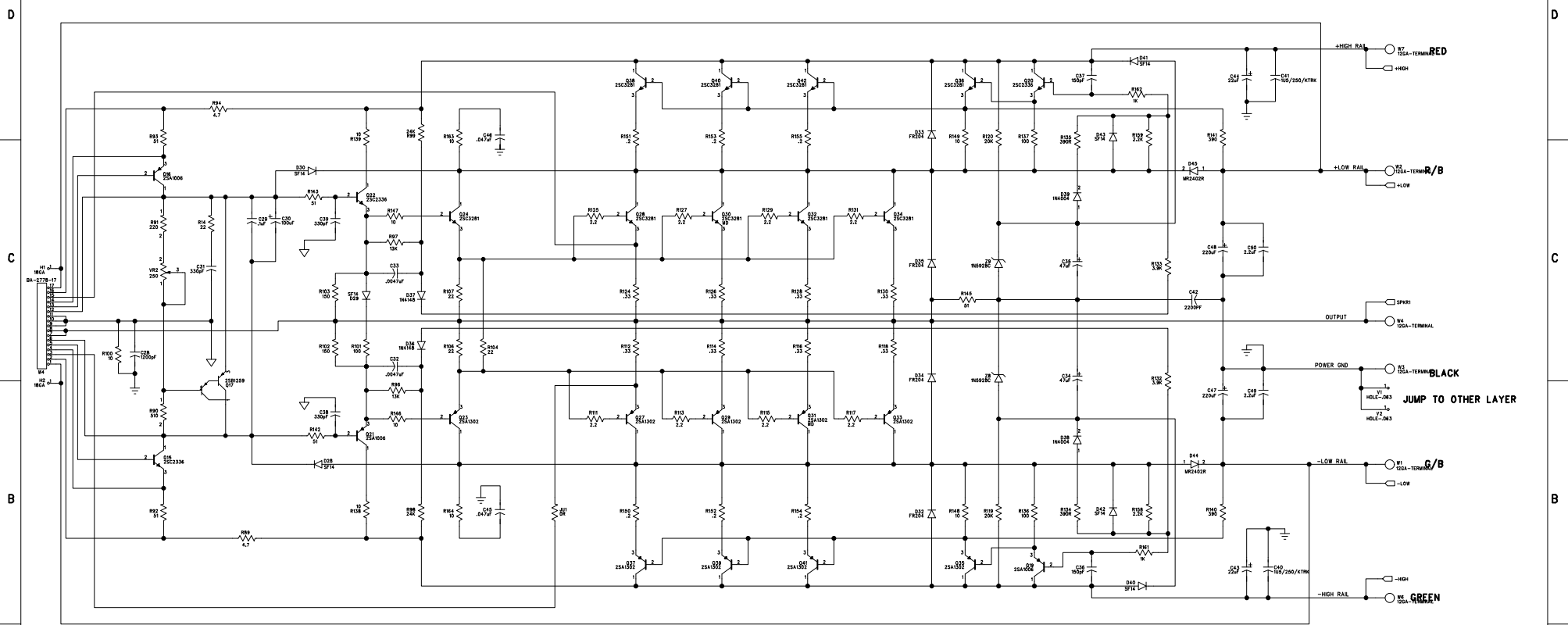
4

3

2

1

REVISION RECORD			
LTN	ECO NO.	APPROVED:	DATE:



+HIGH RAIL  B7  
IC5A-TERMINAL RED

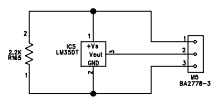
+LOW RAIL  B5  
IC5A-TERMINAL R/B

OUTPUT  B6  
IC5A-TERMINAL

POWER GND  B3  
HOLE-083  
HOLE-083  
HOLE-083  
JUMP TO OTHER LAYER

-LOW RAIL  B1  
IC5A-TERMINAL G/B

-HIGH RAIL  B8  
IC5A-TERMINAL GREEN



Q30 & Q31 NOT INSTALLED ON CA6

**CRESTAUDIO**

**CA 6, 9 OUTPUT MODULE**

DRAWN:	DATE:	8/15/94		
CHECKER:	DATE:	CODE:	SIZE:	DRAWING NO:
QUALITY CONTROL:	DATE:	D		2949-01
RELEASED:	DATE:	SCALE:		SHEET 1 OF 2

REV: 0



6

5

4

3

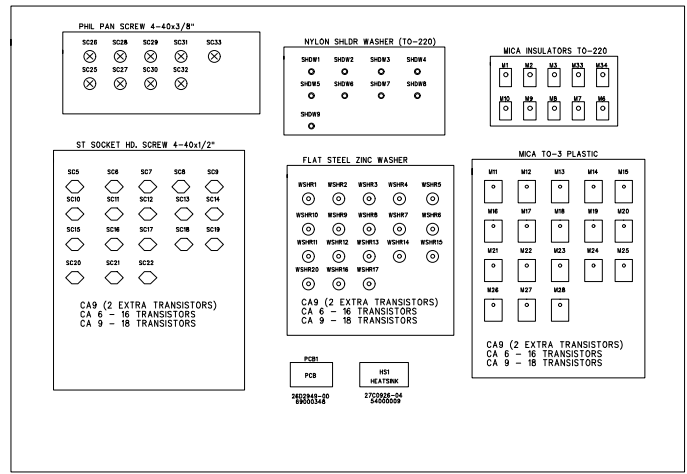
2

1

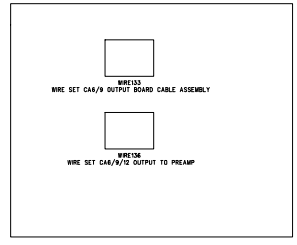
REVISION RECORD			
LTR	ECO NO.	APPROVED	DATE

REV-1 BOARDS WERE NOT SENT OUT  
 CA 6,9 OUTPUT WAS 7001 OUTPUT PCB  
 SCHEMATIC MATCHES REV-1 EXCEPT FOR VALUES  
 LAYOUT WAS DONE USING OLD DATABASE  
 SEVERAL RESISTOR PINS 1 & 2 ARE SWAPPED BETWEEN SCHEMATIC AND PCB  
 RESISTOR PINS FIXED ON REV-1

**HEATSINK MODULE ASSY.**



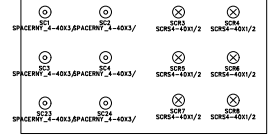
**WIRE ASSEMBLY**



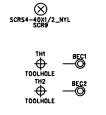
**FASTEN PREAMP TO OUTPUT PCB**



**FASTEN OUTPUT PCB TO HEATSINK**



**LW35DP**



**CA 6. 9 OUTPUT MODULE**

DRAWN:	DATED:	CODE:	SIZE:	DRAWING NO:	REV:
CHECKED:	DATED:	D		2949-00	0
QUALITY CONTROL:	DATED:	SCALE:			SHEET: 2 OF 2
RELEASED:	DATED:				